

QLA-500-18000-14-30

0.5~18GHz, 14dB, 3dB

Features:
 * Broad Band
 * Low Noise

Applications:
 * Wireless
 * Receiver
 * Laboratory Test
 * Radar

Electrical

Frequency:	0.5~18GHz
Small Signal Gain:	14dB min.
Gain Flatness:	±1.25dB max.
Output Power (P1dB):	17dBm min.
Noise Figure:	3dB typ.
Input VSWR:	2.0 max.
output VSWR:	2.0 max.
Voltage:	+15V DC
Current:	165mA typ.
Impedance:	50Ω
Input Power:	17dBm max.

Mechanical

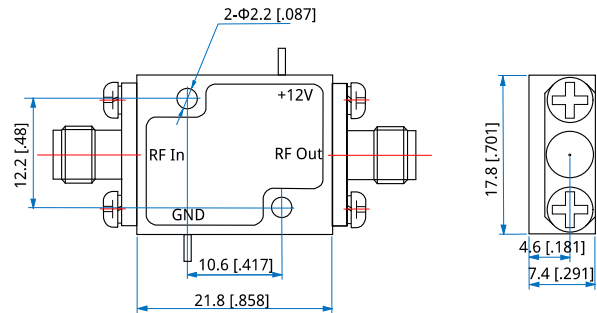
Size ^{*1} :	21.8*17.8*7.4mm 0.858*0.701*0.291in
RF Connectors:	SMA Female
Mounting:	2-Φ2.2mm through-hole

[1] Exclude connectors.

Environmental

Operating Temperature:	-55~+85°C
Non-operating Temperature:	-55~+100°C

Outline Drawings



Unit: mm [in]

Tolerance: ±0.2mm [±0.008in]

How To Order

QLA-500-18000-14-30

Customization is available upon request.